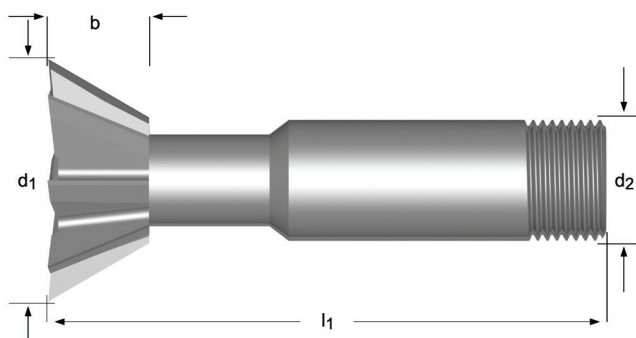


# C835

**DORMER**

- Dovetail Cutters
- Winkel-Schafffräser
- Zwaluwstaartfrezen
- Fraises coniques
- Fresas de cola de milano
- Fresa Rabo de Andurinha



## C835



**N**

**HSS**



- 1.1 1.2 1.3 1.4 2.1 3.1 3.2 3.3 3.4 4.1 5.1 6.1 6.2 6.3 7.1 7.2 7.3
- 1.5 1.6 2.2 2.3 4.2 4.3 5.2 5.3 6.4 7.4 8.1

a	d <sub>1</sub> Ø mm	d <sub>1</sub> Ø Inch /	b	l <sub>1</sub> mm	d <sub>2</sub> Ø Inch	z	e-Code
60°	12,70	1/2	4,0	63,5	1/2	6	C8351/2
60°	13,00		4,0	63,5	12	6	C83513.0
60°	15,88	5/8	5,5	66,5	1/2	6	C8355/8
60°	16,00		5,5	66,5	12	6	C83516.0
60°	19,00		7,0	67,5	12	6	C83519.0
60°	19,05	3/4	7,0	67,5	1/2	6	C8353/4
60°	22,00		9,5	67,5	12	6	C83522.0
60°	22,23	7/8	9,5	67,5	1/2	6	C8357/8
60°	25,00		12,0	70,0	12	6	C83525.0
60°	25,40	1.	12,0	70,0	1/2	6	C8351
60°	28,00		12,5	73,0	16	6	C83528.0
60°	28,58	1.1/8	12,5	73,0	5/8	6	C8351.1/8
60°	32,00		13,5	74,5	16	8	C83532.0
60°	31,75	1.1/4	13,5	74,5	5/8	8	C8351.1/4
60°	34,93	1.3/8	14,5	82,5	1	8	C8351.3/8
60°	35,00		14,5	82,5	25	8	C83535.0
60°	38,00		16,0	84,0	25	8	C83538.0
60°	38,10	1.1/2	16,0	84,0	1	8	C8351.1/2