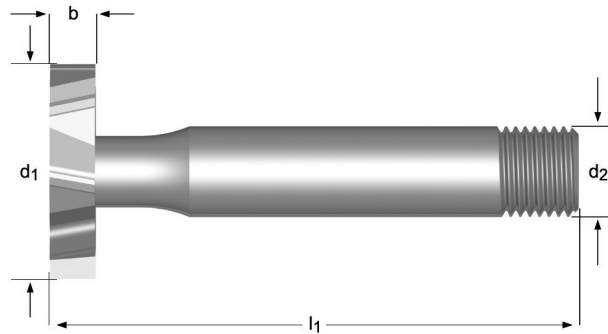


C820

DORMER

- Woodruff Cutters
- Schlitzfräser
- Schijfspiezen
- Fraises Woodruff
- Fresas para ranurados tipo Woodruff
- Fresa p/ Chavetas Meia Lua



C820



N

HSS



- 1.1 1.2 1.3 1.4 2.1 2.2 3.1 3.2 3.3 3.4 4.1 5.1 6.1 6.2 6.3 7.1 7.2 7.3
- 1.5 1.6 2.3 4.2 4.3 5.2 5.3 6.4 7.4 8.1 10.1

Nr.	d ₁ Ø mm	b	d ₁ Ø Inch /	b	d ₂ Ø mm	l ₁ mm	z	e-Code
	10,50	2,00			12	57,0	6	C82010.5X2.0
	10,50	2,50			12	57,0	6	C82010.5X2.5
	10,50	3,00			12	57,0	6	C82010.5X3.0
204	12,70	1,59	1/2	1/16	12,7-1/2	57,0	6	C820204
304	12,70	2,38	1/2	3/32	12,7-1/2	57,0	6	C820304
404	12,70	3,18	1/2	1/8	12,7-1/2	57,0	6	C820404
	13,50	2,00			12	57,0	6	C82013.5X2.0
	13,50	2,50			12	57,0	6	C82013.5X2.5
	13,50	3,00			12	57,0	6	C82013.5X3.0
	13,50	4,00			12	57,0	6	C82013.5X4.0
305	15,88	2,38	5/8	3/32	12,7-1/2	57,0	6	C820305
405	15,88	3,18	5/8	1/8	12,7-1/2	57,0	6	C820405
505	15,88	3,97	5/8	5/32	12,7-1/2	57,0	6	C820505
	16,50	2,50			12	57,0	6	C82016.5X2.5
	16,50	3,00			12	57,0	6	C82016.5X3.0
	16,50	4,00			12	57,0	6	C82016.5X4.0
	16,50	5,00			12	57,0	6	C82016.5X5.0
406	19,05	3,18	3/4	1/8	12,7-1/2	57,0	6	C820406
506	19,05	3,97	3/4	5/32	12,7-1/2	57,0	6	C820506
606	19,05	4,76	3/4	3/16	12,7-1/2	57,0	6	C820606
	19,50	3,00			12	57,0	6	C82019.5X3.0
	19,50	4,00			12	57,0	6	C82019.5X4.0
	19,50	5,00			12	57,0	6	C82019.5X5.0
507	22,23	3,97	7/8	5/32	12,7-1/2	63,5	8	C820507
607	22,23	4,76	7/8	3/16	12,7-1/2	63,5	8	C820607
707	22,23	5,56	7/8	7/32	12,7-1/2	63,5	8	C820707
807	22,23	6,35	7/8	1/4	12,7-1/2	63,5	8	C820807
	22,50	4,00			12	63,5	8	C82022.5X4.0
	22,50	5,00			12	63,5	8	C82022.5X5.0
	22,50	6,00			12	63,5	8	C82022.5X6.0
608	25,40	4,76	1.	3/16	12,7-1/2	70,0	8	C820608
708	25,40	5,56	1.	7/32	12,7-1/2	70,0	8	C820708
808	25,40	6,35	1.	1/4	12,7-1/2	70,0	8	C820808
1008	25,40	7,94	1.	5/16	12,7-1/2	70,0	8	C8201008
	25,50	5,00			12	70,0	8	C82025.5X5.0
	25,50	6,00			12	70,0	8	C82025.5X6.0
	25,50	7,00			12	70,0	8	C82025.5X7.0
	25,50	8,00			12	70,0	8	C82025.5X8.0

Nr.	d ₁ Ø mm	b	d ₁ Ø Inch /	b	d ₂ Ø mm	l ₁ mm	z	e-Code
	28,50	5,00			12	70,0	8	C82028.5X5.0
	28,50	6,00			12	70,0	8	C82028.5X6.0
	28,50	7,00			12	70,0	8	C82028.5X7.0
	28,50	8,00			12	70,0	8	C82028.5X8.0
609	28,58	4,76	1.1/8	3/16	12,7-1/2	70,0	8	C820609
709	28,58	5,56	1.1/8	7/32	12,7-1/2	70,0	8	C820709
809	28,58	6,35	1.1/8	1/4	12,7-1/2	70,0	8	C820809
1009	28,58	7,94	1.1/8	5/16	12,7-1/2	70,0	8	C8201009
610	31,75	4,76	1.1/4	3/16	12,7-1/2	70,0	8	C820610
710	31,75	5,56	1.1/4	7/32	12,7-1/2	70,0	8	C820710
810	31,75	6,35	1.1/4	1/4	12,7-1/2	70,0	8	C820810
1010	31,75	7,94	1.1/4	5/16	12,7-1/2	70,0	8	C8201010
1210	31,75	9,53	1.1/4	3/8	12,7-1/2	70,0	8	C8201210
	32,50	5,00			12	70,0	10	C82032.5X5.0
	32,50	6,00			12	70,0	10	C82032.5X6.0
	32,50	7,00			12	70,0	10	C82032.5X7.0
	32,50	8,00			12	70,0	10	C82032.5X8.0
811	34,93	6,35	1.3/8	1/4	12,7-1/2	76,0	10	C820811
1011	34,93	7,94	1.3/8	5/16	12,7-1/2	76,0	10	C8201011
1211	34,93	9,53	1.3/8	3/8	12,7-1/2	76,0	10	C8201211
	35,50	6,00			12	76,0	10	C82035.5X6.0
	35,50	7,00			12	76,0	10	C82035.5X7.0
	35,50	8,00			12	76,0	10	C82035.5X8.0
	35,50	9,00			12	76,0	10	C82035.5X9.0
812	38,10	6,35	1.1/2	1/4	12,7-1/2	76,0	10	C820812
1012	38,10	7,94	1.1/2	5/16	12,7-1/2	76,0	10	C8201012
1212	38,10	9,53	1.1/2	3/8	12,7-1/2	76,0	10	C8201212
	38,50	7,00			12	76,0	10	C82038.5X7.0
	38,50	8,00			12	76,0	10	C82038.5X8.0
	38,50	9,00			12	76,0	10	C82038.5X9.0
	38,50	10,00			12	76,0	10	C82038.5X10.0
	45,50	10,00			12	76,0	12	C82045.5X10.0