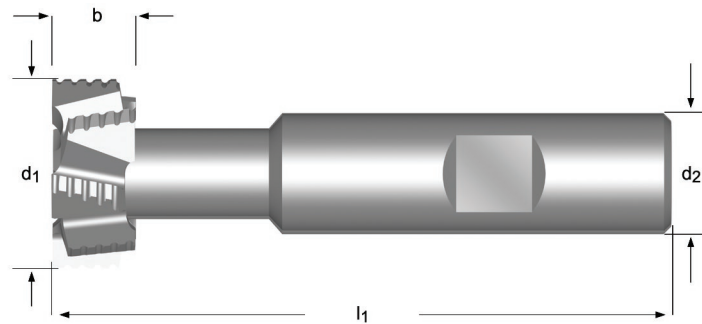


- T-slot Cutters
- T-Nutenfräser
- T-gleuffrezen
- Fraises pour rainures en T
- Fresas de ranurar en "T"
- Fresa p/ Abrir Rasgos T



C801



- 1.1 1.2 1.3 1.4 1.5 1.6 2.1 2.2 2.3 3.1 3.2 3.3 3.4 4.1 4.2 4.3 5.1 5.2 5.3 6.1
- 6.2 6.3 7.1 7.2 7.3 7.4 8.1 10.1

d_1 Ø	b	T DIN650	l_1 mm	d_2 Ø	z	e-Code	d_1 Ø	b	T DIN650	l_1 mm	d_2 Ø	z	e-Code
16,0	8	8	62	10	6	C80116.0X8.0	32,0	14	16	90	16	8	C80132.0X18.0
18,0	8	10	70	12	6	C80118.0X10.0							
21,0	9	12	74	12	6	C80121.0X12.0							
25,0	11	14	82	16	8	C80125.0X14.0							