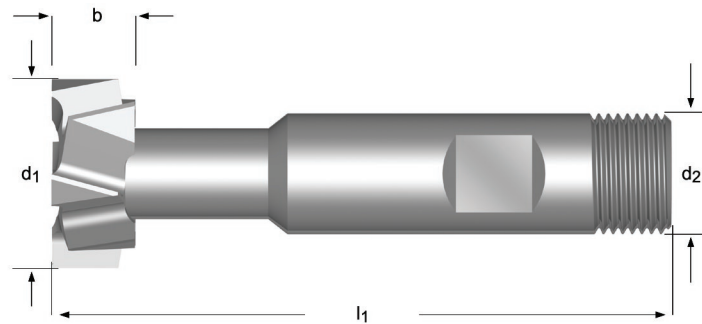


- T-slot Cutters
- T-Nutenfräser
- T-gleuffrezen
- Fraises pour rainures en T
- Fresas de ranurar en "T"
- Fresa p/ Abrir Rasgos T



C800



- 1.1 1.2 1.3 1.4 1.5 1.6 2.1 2.2 2.3 3.1 3.2 3.3 3.4 4.1 4.2 4.3 5.1 5.2 5.3 6.1
- 6.2 6.3 7.1 7.2 7.3 7.4 8.1 10.1

d_1 Ø mm	b	T DIN650	l_1 mm	d_2 Ø mm	z	e-Code
11,00	4,0	5	53,5	10	6	C80011.0X5.0
12,50	6,0	6	57,0	10	6	C80012.5X6.0
16,00	8,0	8	62,0	10	6	C80016.0X8.0
18,00	8,0	10	70,0	12	6	C80018.0X10.0
21,00	9,0	12	74,0	12	6	C80021.0X12.0
25,00	11,0	14	82,0	16	8	C80025.0X14.0
32,00	14,0	18	90,0	16	8	C80032.0X18.0
40,00	18,0	22	108,0	25	8	C80040.0X22.0
50,00	22,0	28	124,0	32	8	C80050.0X28.0