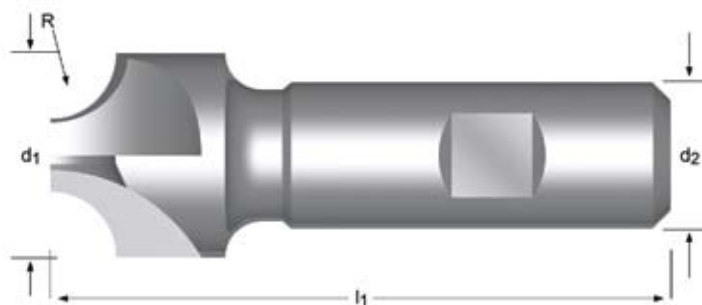


- 圓角銼刀
- Fraises concaves
- Viertelrund-Profilfräser
- Fresa p/ Arredondar Arestas
- Fresas frontales de perfil cóncavo
- Corner Rounding Cutter

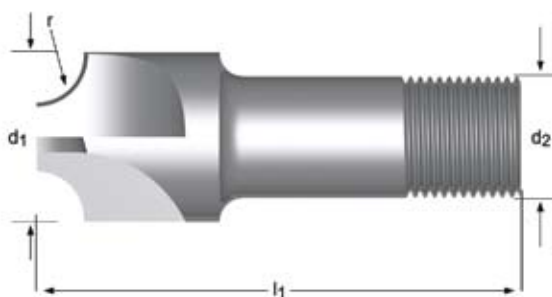


## C700



- 1.1 1.2 1.3 1.4 2.1 2.2 3.1 3.2 3.3 3.4 4.1 4.2 5.1 5.2 6.1 6.2 6.3 7.1 7.2 7.3 7.4
- 1.5 1.6 2.3 4.3 5.3 6.4 10.1

R	d <sub>2</sub> ∅ mm	d <sub>1</sub> ∅ mm	l <sub>1</sub> mm	z	e-Code	R	d <sub>2</sub> ∅ mm	d <sub>1</sub> ∅ mm	l <sub>1</sub> mm	z	e-Code
1.00	10	10	60	4	C7001.0	8.00	16	24	70	4	C7008.0
1.50	10	10	60	4	C7001.5	9.00	20	28	85	4	C7009.0
2.00	10	10	60	4	C7002.0	10.00	20	28	85	4	C70010.0
2.50	10	10	60	4	C7002.5	12.00	20	35	100	4	C70012.0
3.00	12	12	60	4	C7003.0	12.50	20	35	100	4	C70012.5
3.50	12	12	60	4	C7003.5	14.00	25	42	100	4	C70014.0
4.00	12	15	60	4	C7004.0	15.00	25	48	105	5	C70015.0
5.00	16	18	70	4	C7005.0	16.00	25	48	105	5	C70016.0
6.00	16	21	70	4	C7006.0	18.00	32	52	115	5	C70018.0
7.00	16	24	70	4	C7007.0	20.00	32	60	115	6	C70020.0



## C710



- 1.1 1.2 1.3 1.4 2.1 2.2 3.1 3.2 3.3 3.4 4.1 4.2 5.1 5.2 6.1 6.2 6.3 7.1 7.2 7.3 7.4
- 1.5 1.6 2.3 4.3 5.3 6.4 10.1

r	d <sub>2</sub> ∅	d <sub>1</sub> ∅	l <sub>1</sub>	z	e-Code	r	d <sub>2</sub> ∅	d <sub>1</sub> ∅	l <sub>1</sub>	z	e-Code
Inch	mm	Inch	mm			Inch	mm	Inch	mm		
1/16	9.53 - 3/8	3/8	60.5	4	C7101/16	1/4	15.88 - 5/8	7/8	63.5	4	C7101/4
3/32	9.53 - 3/8	7/16	60.5	4	C7103/32	5/16	25.4 - 1.	1"	73.0	4	C7105/16
1/8	12.7 - 1/2	1/2	60.5	4	C7101/8	3/8	25.4 - 1.	1.1/16	76.0	4	C7103/8
5/32	12.7 - 1/2	9/16	60.5	4	C7105/32	7/16	25.4 - 1.	1.3/16	79.5	4	C7107/16
3/16	15.88 - 5/8	5/8	60.5	4	C7103/16	1/2	25.4 - 1.	1.3/8	82.5	4	C7101/2
7/32	15.88 - 5/8	3/4	63.5	4	C7107/32						