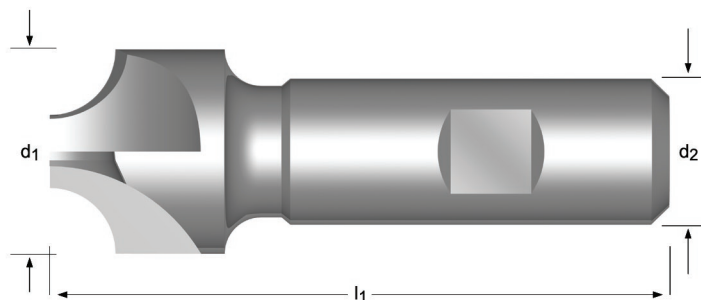


C700 - C710

DORMER

- Corner Rounding Cutters
- Viertelrund-Profilfräser
- Kwartholfräzen
- Fraises concaves
- Fresas frontales de perfil cóncavo
- Fresa p/ Arredondar Arestas

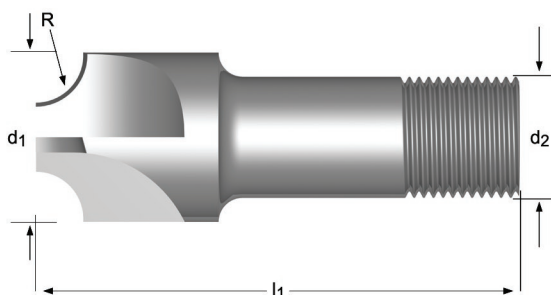


C700



- 1.1 1.2 1.3 1.4 1.5 1.6 2.1 2.2 2.3 3.1 3.2 3.3 3.4 4.1 4.2 4.3 5.1 5.2 5.3 6.1
- 6.2 6.3 6.4 7.1 7.2 7.3 7.4 10.1

R	d ₂ Ø mm	d ₁ Ø mm	l ₁ mm	z	e-Code	R	d ₂ Ø mm	d ₁ Ø mm	l ₁ mm	z	e-Code
1,00	10	10	60	4	C7001.0	8,00	16	24	70	4	C7008.0
1,50	10	10	60	4	C7001.5	9,00	20	28	85	4	C7009.0
2,00	10	10	60	4	C7002.0	10,00	20	28	85	4	C70010.0
2,50	10	10	60	4	C7002.5	12,00	20	35	100	4	C70012.0
3,00	12	12	60	4	C7003.0	12,50	20	35	100	4	C70012.5
3,50	12	12	60	4	C7003.5	14,00	25	42	100	4	C70014.0
4,00	12	15	60	4	C7004.0	15,00	25	48	105	5	C70015.0
5,00	16	18	70	4	C7005.0	16,00	25	48	105	5	C70016.0
6,00	16	21	70	4	C7006.0	18,00	32	52	115	5	C70018.0
7,00	16	24	70	4	C7007.0	20,00	32	60	115	6	C70020.0



C710



- 1.1 1.2 1.3 1.4 2.1 3.1 3.2 3.3 3.4 4.1 5.1 6.1 6.2 6.3 7.1 7.2 7.3
- 1.5 1.6 2.2 2.3 4.2 4.3 5.2 5.3 6.4 7.4 10.1

r Inch	d ₂ Ø mm	d ₁ Ø mm	l ₁ mm	z	e-Code	r Inch	d ₂ Ø mm	d ₁ Ø mm	l ₁ mm	z	e-Code
1/16	9,53 - 3/8	3/8	60,5	4	C7101/16	1/4	15,88 - 5/8	7/8	63,5	4	C7101/4
3/32	9,53 - 3/8	7/16	60,5	4	C7103/32	5/16	25,4 - 1.	1.	73,0	4	C7105/16
1/8	12,7 - 1/2	1/2	60,5	4	C7101/8	3/8	25,4 - 1.	1.1/16	76,0	4	C7103/8
5/32	12,7 - 1/2	9/16	60,5	4	C7105/32	7/16	25,4 - 1.	1.3/16	79,5	4	C7107/16
3/16	15,88 - 5/8	5/8	60,5	4	C7103/16	1/2	25,4 - 1.	1.3/8	82,5	4	C7101/2
7/32	15,88 - 5/8	3/4	63,5	4	C7107/32						